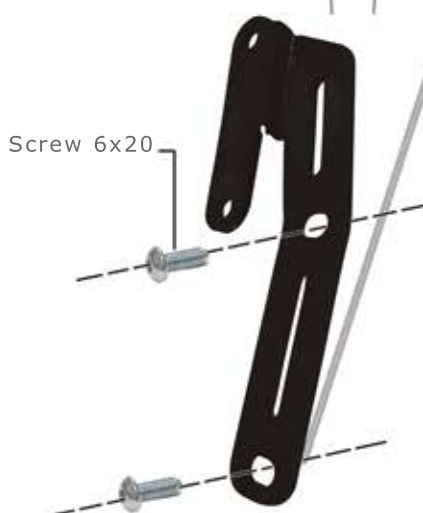
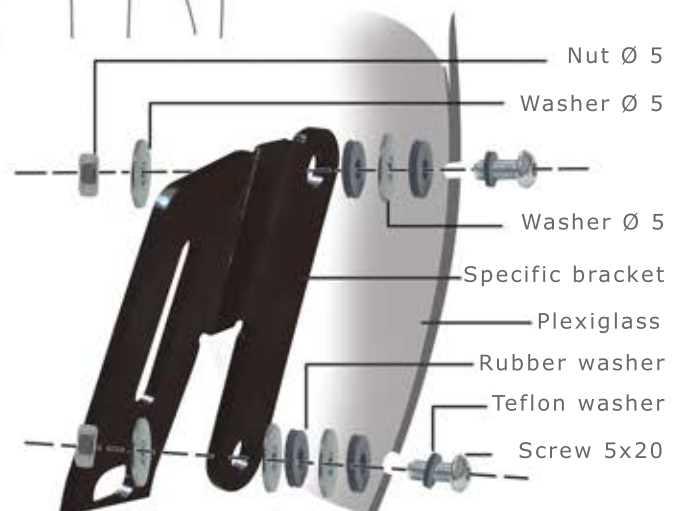


MOUNTING PROCEDURE**KIT WINDSHIELD
YAMAHA MT-10****YMT1300**WWW.BARRACUDAMOTO.COM**FIXING PROCEDURE:**

- INSTALL THE BRACKETS OF BARRACUDA WIDNSHIELD USING THE SCREWS 6X20;
- AFTER PUT THE WINDSHIELD IN THE POSITION SHOWN IN THE SCHEME;
- FIND THE RIGHT POSITION OF WINDSHIELD ON THE ALREADY FIXED BRACKETS AND LOCK ALL THE SCREWS;

KIT

- X1. PLEXIGLASS
- X2. SPECIFIC BRACKETS
- X4. AUTOLOCK NUT Ø 5
- X10. WASHER LARGE Ø 5
- X8. RUBBER WASHER
- X4. TEFLON WASHER Ø 5
- X4. SCREW 5X20
- X4. SCREW 6X20

FIXING MOTORBIKE**FIXING WINDSHIELD****NOTE: DON'T LOCK TOO MUCH TO AVOID PLEXIGLASS BROKEN.**